



Bobcat®

Tool Bulletin

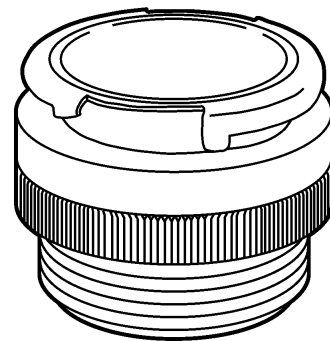
MEL1642

Date: 5/31/07

Radiator Cap Test Adapter

Application: Loaders

Essential tool MEL 1642 is an adapter for pressure testing the current threaded style radiator cap. Used in conjunction with OEM 1347.



- The tool will be automatically shipped to your dealership and invoiced through Bobcat Parts.
- If your dealership does not want this tool automatically shipped and invoiced the Service Manager may cancel within 15 days of this notification by e-mailing to Bobcat_Service_Tools@Bobcat.com and to your Bobcat District Service Manager stating not to ship essential tool MEL 1642.
- Later requests for returning the tool for credit will not be accepted.
- To order additional unit(s) at the special introductory price please call SPX Customer Service at 1-866-621-2128. The order must be placed 15 days or less from date on this essential bulletin.

PRICING

\$55.00 *(Automatic shipment price invoiced from Bobcat)*

\$55.00 *(15 day Introductory price from SPX)*

\$61.25 *(Regular price)*