



# Bobcat®

# Essential Tool Bulletin

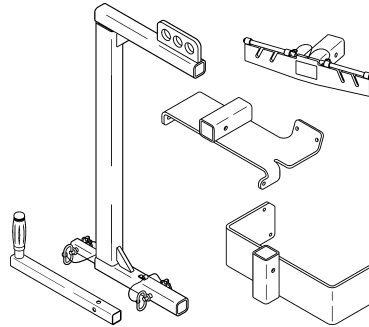
## MEL1653

### Engine Lifting Device

Application: Tier III Engines

Date: 4/30/08

Essential tool MEL1653 is used for engine removal and replacement.



***This Lifting Device was engineered to ANSI specifications specifically for Bobcat Engine installation and removal. This Lifting frame and adapters will increase productivity as well as ensure your technician's safety.***

- For North American Bobcat Dealers this tool will be automatically shipped to your dealership and invoiced through Bobcat parts. For all other Bobcat Dealers the orders must be placed directly with SPX prior to 30 May to receive the introductory price.
- If your dealership does not want this tool automatically shipped and invoiced the Dealership **may cancel within 15 days** of this notification. Email with request not to ship to both **Bobcat\_Service\_Tools@bobcat.com** and your District Service Manager.
- Later requests for returning the tool for credit will not be accepted.
- To order additional units please call SPX Customer Service at 1-866-621-2128. Introductory price is effective until 30 May 2008.

## PRICING

### US Pricing

- \$696.60** (Automatic shipment price invoiced from Bobcat)
- \$696.60** (Introductory price from SPX for additional tools good until 30 May)
- \$1,044.90** (Regular Dealer price)

### Canadian Pricing

- \$780.19** (Automatic shipment price invoiced from Bobcat)
- \$780.19** (Introductory price from SPX for additional tools good until 30 May)
- \$1,170.29** (Regular Dealer price)