

Tool Bulletin

Date: 7/1/09

MEL1660

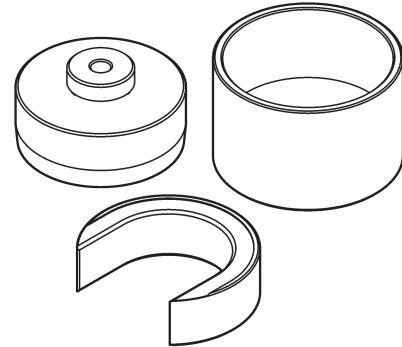
Crankshaft Sleeve Installer

Application: S160, S185, S205, T180, T190 Series

MEL1660 is essential for installing the crankshaft sleeve on Kubota V2003, V2203 and V2403 engines.

Dealer Program Price: \$233.50

After Program Price: \$291.88



Program is open to all Bobcat Dealers until August 30, 2009

- This set will ***NOT*** be shipped automatically to your Dealership
- You will need to fill out the order form below and fax it to 586-578-7375 or you can order it directly from the Bobcat Special Service Tools web catalog at <http://otctoolsforbobcatdealers.spx.com>
- Please allow 6-8 weeks after close of program to receive your tools

Dealership Name: _____

Authorized Person: _____ Bill My SPX Account: _____

Credit Card: Visa MasterCard American Express

Card Number: _____ Exp Date: _____

Address: _____

City: _____ State: _____ Zip: _____