



**BOBCAT COMPANY  
APPROVED**

# Tool Bulletin

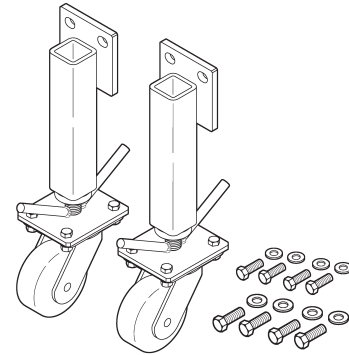
Date: 7/1/09

## MEL1662

**Compact Tractor Splitting Stand Set**

**Dealer Program Price: \$283.88**

After Program Price: \$368.28



**Program is open to all Bobcat Dealers until August 30, 2009**

This tool set has been designed to fit all new Bobcat Compact Tractors. This set is used when “splitting” tractors for repairs. The Stands are fully adjustable to fit all current models.

- This set will **NOT** be shipped automatically to your Dealership
- You will need to fill out the order form below and fax it to 586-578-7375 or you can order it directly from the Bobcat Special Service Tools web catalog at <http://otctoolsforbobcatdealers.spx.com>
- Please allow 6-8 weeks after close of program to receive your tools

Dealership Name: \_\_\_\_\_

Authorized Person: \_\_\_\_\_ Bill My SPX Account: \_\_\_\_\_

Credit Card:  Discover  Visa  MasterCard  American Express

Card Number: \_\_\_\_\_ Exp Date: \_\_\_\_\_

Address: \_\_\_\_\_

City: \_\_\_\_\_ State: \_\_\_\_\_ Zip: \_\_\_\_\_