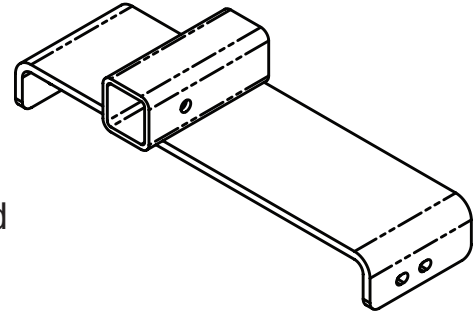


Essential Tool Bulletin

Date: 7/1/09

MEL1653-5 Engine Lifting Device Adapter

Application: Tier III Kubota V3307 Engines



Essential tool MEL1653-5 is used for engine removal and replacement. Use with engine lifting device MEL 1653-1

This Lifting Device Adapter was engineered to ANSI specifications specifically for Bobcat Engine installation and removal. This Lifting adapter will increase productivity as well as ensure your technician's safety.

- For North American Bobcat dealers this tool will be automatically shipped to **only** those dealers that received MEL 1653 Engine Lifting Device last year. The automatically shipped tools will be invoiced through Bobcat Parts. For all other Bobcat dealers the orders must be placed directly with SPX.
- If your dealership does not want this tool automatically shipped and invoiced to your dealership you must contact your DSM within 15 days of this notification. Send an email to your DSM explaining that your dealership does not want this tool and include your dealer name, dealer address, dealer number and the tool part number. Only your DSM can make the request to not ship the tool to your dealership.
- Later requests for returning the tool for credit will not be accepted.
- To order additional units please call SPX Customer Service at 1-866-621-2128. Introductory price is effective until August 31, 2009.
- Please allow 8 weeks after close of program for shipment.

PRICING

US Pricing

\$92.58 *(Automatic shipment price
invoiced from Bobcat)*

\$92.58 *(Introductory price from
SPX for additional tools
good until 31 June)*

\$138.87 *(Regular Dealer price)*

Canadian Pricing

\$110.12 *(Automatic shipment price
invoiced from Bobcat)*

\$110.12 *(Introductory price from
SPX for additional tools
good until 31 June)*

\$165.18 *(Regular Dealer price)*