



Bobcat®

Tool Bulletin

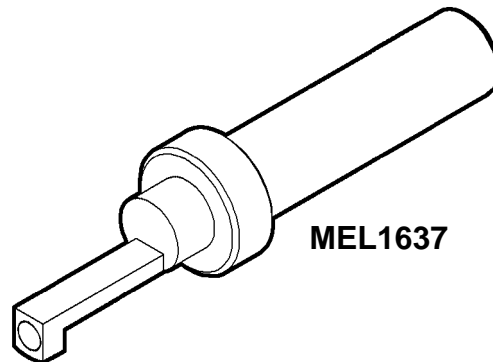
MEL1637

November 15, 2007

Magnetic Pickup Tool

Application: V3300 Injection Pump Model Series

Essential tool MEL1637 is an alignment tool for the injection pump governor control rod on Kubota V3300 engines.



- This tool will be automatically shipped to your dealership and invoiced through Bobcat Parts.
- If a dealership does not want this tool automatically shipped and invoiced, the Service Manager may cancel within 15 days of this notification. E-mail both Bobcat_Service_Tools@Bobcat.com and your Bobcat District Service Manager, stating not to ship essential tool MEL1637.
- Later requests for returning the tool for credit will not be accepted.
- To order additional tools at the special introductory price, call SPX Customer Service at 1-866-621-2128. The order must be placed 15 days or less from the date on this essential bulletin.

Pricing

Automatic shipment price invoiced from Bobcat	\$ 40.00
15-day introductory price from SPX (for additional tools)	\$ 40.00
Regular price	\$ 69.50