

Essential Tool Bulletin

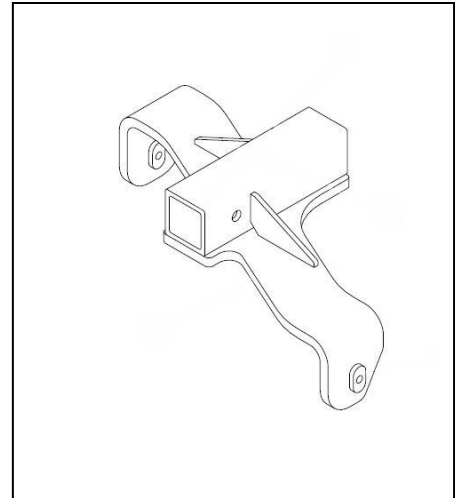
MEL1653-9

Engine Lifting Device Adapter

Application: Bobcat D24 Engine

Essential tool MEL 1653-9 is used for engine removal and replacement. Use with engine lifting device MEL1653-1. MEL1653-9 is for use with loaders and work machines with D24 engines. It is not compatible for use with the T450 Loader. An alternate service procedure is required for engine removal and replacement for the T450. Excavators with the D24 engines also have an alternate service procedure.

This Lifting Device Adapter is engineered to ANSI specifications specifically for Engine installation and removal. The Lifting adapter will increase productivity, help avoid engine damage during removal and installation and ensure your technicians safety.



Essential Service Tool Process

- This tool will be automatically shipped to North American full line Bobcat dealers and invoiced through Bobcat Parts.
- If your dealership does not want this tool automatically shipped and invoiced you must contact your DSM within 15 days of this notification. Send an email to your DSM explaining that your dealership does not want this tool and include your dealer name, dealer address, dealer number and the tool part number. Only your DSM can make the request to stop the automatic shipment. Later requests for returning the tool for credit will not be accepted.
- Introductory price is effective until 31 December 2014. Any additional units should be ordered directly from Bosch Service Solutions.

Pricing

US Pricing

\$349	(Automatic shipment price invoiced from Bobcat)
\$349	(Introductory price for additional tools good through 31 December 2014)
\$696	(Regular Dealer price)

Canadian Pricing

\$408	(Automatic shipment price invoiced from Bobcat)
\$408	(Introductory price for additional tools good through 31 December 2014)
\$747	(Regular Dealer price)