

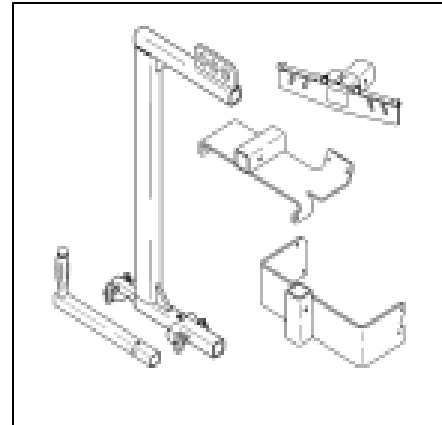
Essential Tool Bulletin

MEL1653

Engine Lifting Device

Application: Bobcat Tier 3 Engines

Essential tool MEL 1653 Engine Lifting Device is used for engine removal and replacement. MEL 1653 includes lifting device MEL 1653-1, engine brackets MEL1653-2, MEL 1653-3, and MEL 1653-4 for use with loaders with Tier 3 engines. **This essential auto ship program is required for a select group of dealers who do not currently have the tool at their location.** Your DSM will contact you about receiving MEL 1653 if you are part of this group. This Engine Lifting Device and Brackets are engineered to ANSI specifications specifically for engine installation and removal in Bobcat equipment. The Lifting device and brackets will increase productivity, help avoid engine damage during removal and installation and ensure technicians safety.



Essential Service Tool Process

- This tool will be automatically shipped to the select group of North American full line Bobcat dealers and invoiced through Bobcat Parts.
- Please contact your DSM within 15 days of this notification if your dealer number is listed on pages 2 or 3. Contact your DSM if your dealership does not want this tool automatically shipped and invoiced. Send an email to your DSM explaining that your dealership does not want this tool and include your dealer name, dealer address, dealer number and the tool part number. Only your DSM can make the request to stop the automatic shipment. Later requests for returning the tool for credit will not be accepted.
- Introductory price is effective until 31 December 2014. Any additional units should be ordered directly from Bosch Service Solutions.

Pricing

US Pricing

\$1250 (Automatic shipment price invoiced from Bobcat)

\$1250 (Introductory price for additional tools good through 31 December 2014)

\$1638 (Regular Dealer price)

Canadian Pricing

\$1460 (Automatic shipment price invoiced from Bobcat)

\$1460 (Introductory price for additional tools good through 31 December 2014)

\$1785 (Regular Dealer price)

MEL1653 US Dealers

1225954	1239557	1225492	1225848	1225429	1225963
1225549	1237663	1225955	1225906	1225837	1225663
1225550	1225569	1225741	1225944	1225574	1225858
1225516	1225424	1225542	1225760	1225477	1239172
1225576	1225571	1228172	1225523	1225478	1225567
1225614	1225799	1225843	1225769	1225601	1225559
1225504	1225522	1225439	1225445	1225849	1225901
1225964	1225431	1225444	1225548	1225829	1225865
1225929	1225508	1225909	1225509	1225578	1225454
1225671	1225521	1225951	1225967	1225665	
1225882	1225447	1225789	1225713	1225472	
1225835	1225776	1225602	1113849	1229516	
1225672	1225428	1225917	1225430	1238497	
1225677	1225436	1225419	1225800	1225561	
1225427	1175272	1225420	1225834	1225981	
1225546	1225957	1225639	1225969	1225644	
1225476	1225526	1225822	1225956	1225774	
1225888	1225664	1225862	1225921	1225656	
1225425	1225525	1227910	1225746	1225535	
1225711	1225553	1225625	1225878	1225442	
1225586	1225537	1225811	1225819	1225630	
1225815	1225560	1225764	1225931	1225712	
1225568	1225591	1225737	1227874	1225467	
1225572	1225564	1225661	1225809	1225534	
1113819	1225660	1225710	1225555	1225910	
1234914	1225503	1225705	1225530	1225566	
1225904	1225556	1225983	1225496	1225674	
1225934	1225793	1225880	1225859	1227770	
1225608	1225458	1225838	1225633	1227873	
1228069	1239782	1241937	1225682	1225975	
1225552	1225784	1241938	1225869	1225686	
1225636	1225667	1241939	1225565	1225635	
1225470	1225750	1225714	1225433	1225624	
1225689	1225877	1225622	1225903	1225970	
1225887	1225960	1225502	1225708	1225562	
1225626	1225459	1234988	1225968	1223309	
1225538	1225768	1225557	1225573	1225952	
1225570	1225490	1225730	1225632	1225982	

MEL1653 Canada Dealers

1226021

1226046

1226051

1226047

1238263

1228116

1225985

1235661

1226045

1226036

1226043

1225997

1226027

1133409

1226050

1226054

1226037

1226035

1226019

1226023

1226015

1226029

1226039

1171291

1225996

1225988

1226006

1226000

1226024

1226052