

Essential Tool Bulletin

MEL1740 Service Tools Kit

Bobcat 3400, 3400XL, 3600 & 3650 Utility Vehicles

Application: Model Year 2015 - Diesel / Gas Engines

Service tools are required for use with Bobcat 3400, 3400XL, 3600 and 3650 model year 2015 Utility Vehicles. The tools listed are included in the MEL1740 Service Tools Kit:

Crankshaft Locking Tool PU-51601 - Installs in place of the starter to hold the crankshaft stationary while removing the drive pulley.

Timing Belt Tightening Tool PU-51602 - Fits a feature on the timing belt tensioner to set tension with a standard hex socket.

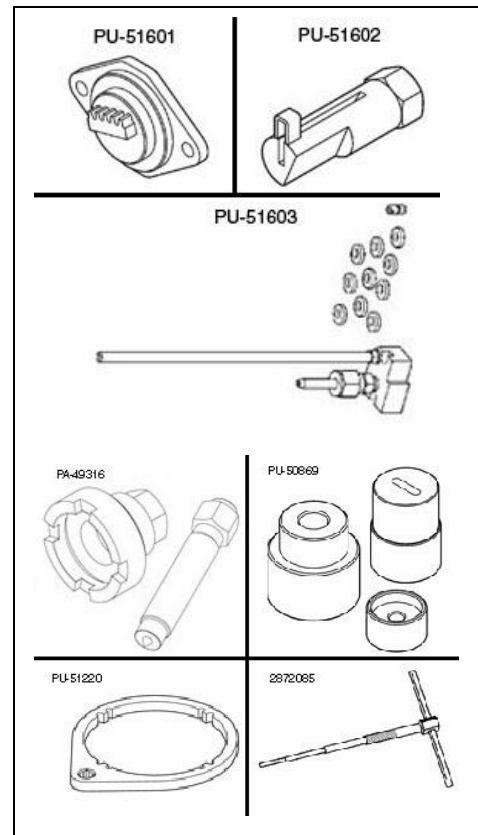
Fuel injector Timing Tool PU-51603 – Installs on a fuel injector and indicates spill to set injector timing.

Flywheel Puller Tool PA-49316 – Used for removal/installation of water pump drive gear on rotor and removing rotor from crankshaft.

Water Pump Mechanical/Oil Seal Installation Kit PU-50869 – Used on engine with water pump repair.

Flywheel Holding Tool PU-51220 – Used to hold flywheel during removal and installation.

Drive Clutch Puller Tool 2872085 – Used for removing the drive clutch from the engine shaft.



Essential Service Tool Process

- For North American full line Bobcat dealers this tool kit will be automatically shipped only to dealers that sell and service 3400, 3400XL, 3600 & 3650 Utility Vehicles and will be invoiced through Bobcat Parts.

- If your dealership does not want this tool kit automatically shipped and invoiced you must contact your DSM within 15 days of this notification. Send an email to your DSM explaining that your dealership does not want this tool and include your dealer name, dealer address, dealer number and the tool kit part number. Only your DSM can make the request to stop the automatic shipment. Later requests for returning the tool kit for credit will not be accepted.
- Introductory price is effective until 31 January 2015. After that date additional units should be ordered from Bosch Service Solutions.

Pricing

US Pricing

\$550	(Automatic shipment price invoiced from Bobcat)
\$550	(Introductory price for additional tools Is good through 31 January 2015)
\$740	(Regular Dealer price)

Canadian Pricing

\$640	(Automatic shipment price invoiced from Bobcat)
\$640	(Introductory price for additional tools is good through 31 January 2015)
\$829	(Regular Dealer price)